

Industrial grade 15/10A Non-NEMA locking devices

Project Name:	Prepared By:
Project Number:	Date:
Catalog Number:	Type:

Description

Non-NEMA 15A, 125V/AC, 10A, 250V/AC, 3P-3W



Receptacle Plug



4767



4755



7582



7580

Design features for plugs & connector

- Nylon construction
- EPDM gasket seals cord hole from dust and debris
- Dual range cord grip for solid cord clamping
- Back wire terminal clamps for easy secure wiring
- Individual wiring compartments with tapered channel for easy insertion of wires
- Clear cover over wiring compartments allows easy inspection of wiring terminations

Design features for receptacles

- Glass reinforced nylon body and face
- One piece brass contacts offer superior performance and minimal heat rise
- Back and side wire terminal clamps for easy secure wiring
- Duplex receptacles feature a break off tab for split circuit wiring

Table 1. Non-NEMA 15/10A Industrial Grade Locking Devices

Catalog No.	Description	Amps	Volts	Color
□ 4767	Safety grip plug	15/10	125/250	Black & white
□ 4767AN	Safety grip angled body plug	15/10	125/250	Black & white
□ 4755	Safety grip connector	15/10	125/250	Black & white
□ 7580	Duplex receptacle	15/10	125/250	Black
□ 7582	Single receptacle	15/10	125/250	Black

Compliances, specifications and availability are subject to change without notice.



Powering Business Worldwide

Project Name:	Prepared By:
Project Number:	Date:
Catalog Number:	Type:

Plugs & Connector

Non-NEMA 15A, 125V/AC, 10A, 250V/AC, 3P-3W

Table 2. Specifications

Catalog No.	Non-NEMA 15/10A Plugs & Connector
NEMA Config	Non-NEMA 15/10A
Wiring Type	Back wire
Environmental Specifications	Flammability: Meets UL94 requirements; V2 rated Temperature Rating: -40°C to 60°C (-40°F to 140°F)
Electrical Specifications	Dielectric Voltage: Twice the device rating + 1000V per UL498 Current Interrupting: Yes, at full-rated current Temperature Rise: Max. 30°C (86°F) after 50 cycles of overload at 150% of rated current (DC)
Mechanical Specifications	Terminal Accommodation: #16 - 12 AWG Voltage Ratings: Permanently marked on device

Table 3. Materials

Catalog No.	Non-NEMA 15/10A Plugs & Connector
NEMA Config	Non-NEMA 15/10A
Outer Shell	Nylon
Interior Body	Nylon
Terminal Retainer	Polycarbonate
Blades	Brass
Line Contacts	Brass, tin plated
Terminal Clamps	Steel, zinc plated
Terminal Screws	#8-32 steel, brass plated, nickel plated (neutral screw)
Ground Screw	#8-32 steel, brass plated (green)
Assembly Screws	Steel, nickel plated
Gasket/Dust Shield	EPDM
Cord Clamp Screws	Steel, nickel plated
Cord Clamp	Nylon

Product Dimensions

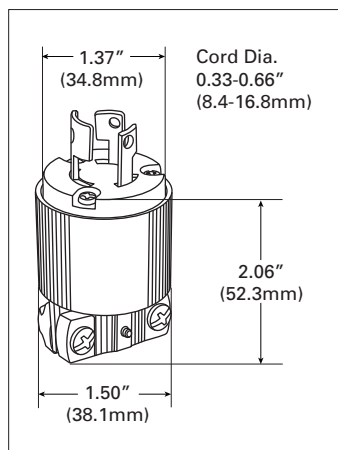


Figure 1. 4767

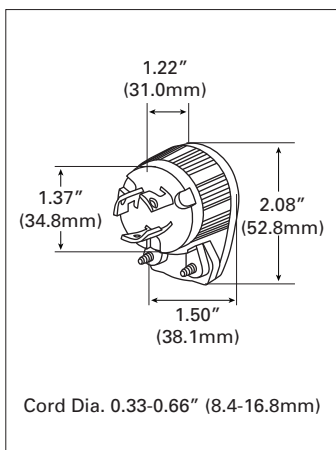


Figure 2. 4767AN

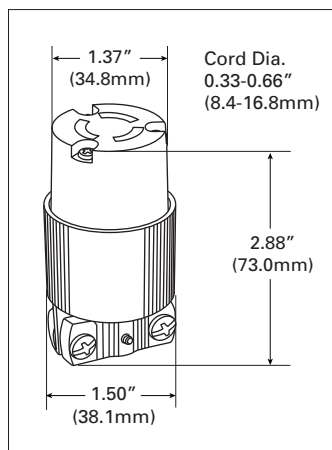


Figure 3. 4755

Compliances, specifications and availability are subject to change without notice.

Project Name:	Prepared By:
Project Number:	Date:
Catalog Number:	Type:

Single & Duplex Receptacles

Non-NEMA 15A, 125V/AC, 10A, 250V/AC, 3P-3W

Table 4. Specifications

Catalog No.	Non-NEMA 15/10A Single & Duplex Receptacles
NEMA Config	Non-NEMA 15/10A
Wiring Type	Back & side wire
Environmental Specifications	Flammability: Meets UL94 requirements; V0 rated Temperature Rating: -40°C to 115°C (-40°F to 239°F)
Electrical Specifications	Dielectric Voltage: ≤300V: 2000V, 301-600V: 3000V per UL498 Current Interrupting: Yes, at full-rated current Temperature Rise: Max. 30°C (86°F) after 50 cycles of overload @ 150% of rated current (DC)
Mechanical Specifications	Terminal Accommodation: #14 - 10 AWG Voltage Ratings: Permanently marked on device

Table 5. Materials

Catalog No.	Non-NEMA 15/10A Single & Duplex Receptacles
NEMA Config	Non-NEMA 15/10A
Face	Glass-filled nylon
Base	Glass-filled nylon
Mounting Strap	0.050" thick pre-plated steel
Auto Ground Clip	Yes
Line Contacts	0.036" thick brass
Terminal Screws	#8-32 brass screws, nickel plated
Ground Screw	#8-32 brass screw (green)
Mounting Screws	Steel, zinc plated

Product Dimensions

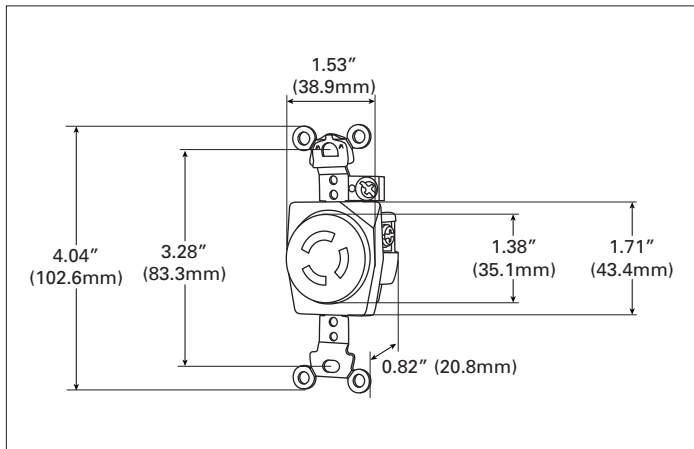


Figure 4. 7582

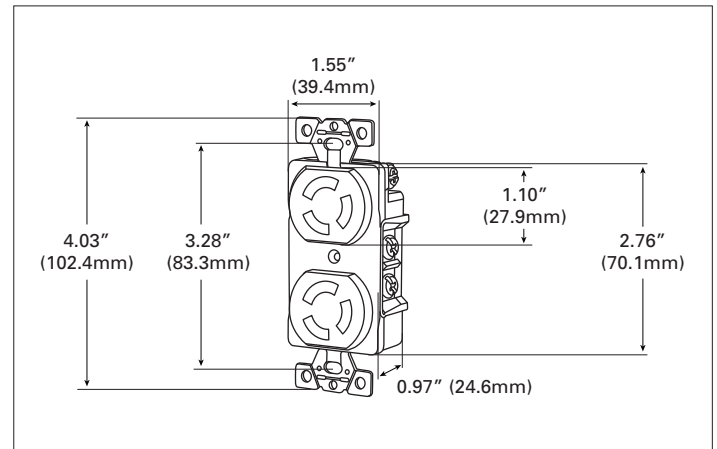






Figure 5. 7580


Compliances, specifications and availability are subject to change without notice.

Project Name:	Prepared By:
Project Number:	Date:
Catalog Number:	Type:

Certifications & Compliances

Catalog No.				
4767	•	•	•	•
4767AN	•	•	•	•
4755	•	•	•	•
7580	•			•
7582	•			•

KEY:  RU  cRUus  NAFTA  ROHS

 Parts are manufactured and designed in accordance with article 4 of the European Union's RoHS2 directive 2011/65/EU

Compliances, specifications and availability are subject to change without notice.

Electrical Sector
203 Cooper Circle
Peachtree City, GA 30269
United States
Eaton.com
Arrowhart.com

Electrical Sector
Canada Operations
5925 McLaughlin Road
Mississauga, Ontario, L5R 1B8
Canada
EatonCanada.ca
Arrowhart.com

Electrical Sector
Mexico Operations
Carr. Tlalnepantla -
Cuautitlan Km 17.8 s/n
Col. Villa Jardin esq.
Cerrada 8 de Mayo
Cuautitlan, Mexico CP 54800
Mexico
Eaton.mx
Arrowhart.com

Eaton
1000 Eaton Boulevard
Cleveland, OH 44122
United States
Eaton.com

© 2014 Eaton
All Rights Reserved
Printed in USA
Publication No. 125-0068-13
January 2014

Eaton is a registered trademark.
All other trademarks are property
of their respective owners.