

Eaton's EZ Panel™ factory-assembled panelboards

Available directly through stock



Eaton EZ Panel™ panelboards

With Eaton EZ Panel –

- Simplify light commercial construction projects
- Shorten lead times and expedite delivery
- Reduce ordering complexity, labor and time

Eaton's EZ Panel factory-assembled panelboards help simplify delivery, reduce costs and save time – with the most common configurations of Eaton® EZ Box™, EZ Trim™, main device and panelboards interior all in a single package.*

The pre-assembled offering is available directly through distributor stock to help shorten lead times while providing a reliable solution for light commercial projects where the dependability of bolt-on branch breakers is desired. By adding bolt-on type BAB, GHB or GHQ breakers in the field, Eaton's EZ Panel provides the flexibility to meet the needs of nearly any application.

EZ Panel factory-assembled panelboard features and benefits

Save time

Expedite the delivery of panelboard configurations with field-installed bolt-on Type BAB, GHB or GHQ breakers to quickly meet customer needs with improved inventory access and availability.

Reduce cost

Order factory assembled EZ Panel panelboards to reduce installation time and labor, onsite coordination and ordering complexity

Minimize installation error

Confidently supply solutions assembled by Eaton to help ensure reliable operation and accurate installation

Simplify specification

Reduce complexity and time with four primary box sizes, common circuit breaker configurations and a single catalog number



*Eaton's EZ Box and EZ Trim, the revolutionized panelboard boxes and trims, are provided standard for Eaton's lighting panelboards



Powering Business Worldwide

Main breaker, three-phase, four-wire—top cable entry—NEMA® 1 enclosure—trim surface mount

Main Breaker Type	kAIC Rating	Ampere Rating	Bus Type	Thru-Feed Lugs	Subfeed Breaker	Max. Number of Spaces	Max. Number of Circuits	Enclosure Height (Inches)	Catalog Number
208Y/120 Vac									
ED	65	225	Aluminum	■		30	30	48	AP13225TET30AS
ED	65	200	Aluminum	■		30	30	48	AP13200TET30AS
ED	65	150	Aluminum	■		30	30	48	AP13150TET30AS
ED	65	225	Aluminum			42	42	48	AP13225TE42AS
ED	65	225	Aluminum			42	42	48	AP13200TE42AS
ED	65	225	Aluminum			42	42	48	AP13150TE42AS
ED	65	225	Aluminum	■		42	42	60	AP13225TET42AS
ED	65	225	Aluminum	■		42	42	60	AP13200TET42AS
ED	65	225	Aluminum	■		42	42	60	AP13150TET42AS
KD	65	400	Aluminum		■	42	42	72	AP13400TKF42AS
HKD	100	400	Aluminum		■	42	42	72	AP13400THF42AS
ED	65	225	Copper	■		30	30	48	AP13225TET30CS
ED	65	200	Copper	■		30	30	48	AP13200TET30CS
ED	65	150	Copper	■		30	30	48	AP13150TET30CS
ED	65	225	Copper			42	42	48	AP13225TE42CS
ED	65	200	Copper			42	42	48	AP13200TE42CS
ED	65	150	Copper			42	42	48	AP13150TE42CS
ED	65	225	Copper	■		42	42	60	AP13225TET42CS
ED	65	200	Copper	■		42	42	60	AP13200TET42CS
ED	65	150	Copper	■		42	42	60	AP13150TET42CS
KD	65	400	Copper		■	42	42	72	AP13400TKF42CS
HKD	100	400	Copper		■	42	42	72	AP13400THF42CS
480Y/277 Vac									
HFD	65	225	Aluminum	■		30	30	48	AP23225THT30AS
HFD	65	200	Aluminum	■		30	30	48	AP23200THT30AS
HFD	65	150	Aluminum	■		30	30	48	AP23150THT30AS
HFD	65	225	Copper	■		30	30	48	AP23225THT30CS
HFD	65	200	Copper	■		30	30	48	AP23200THT30CS
HFD	65	150	Copper	■		30	30	48	AP23150THT30CS
HFD	65	225	Aluminum			42	42	42	AP23225TH42AS
HFD	65	200	Aluminum			42	42	42	AP23200TH42AS
HFD	65	150	Aluminum			42	42	42	AP23150TH42AS
HFD	65	225	Copper			42	42	42	AP23225TH42CS
HFD	65	200	Copper			42	42	42	AP23200TH42CS
HFD	65	150	Copper			42	42	42	AP23150TH42CS

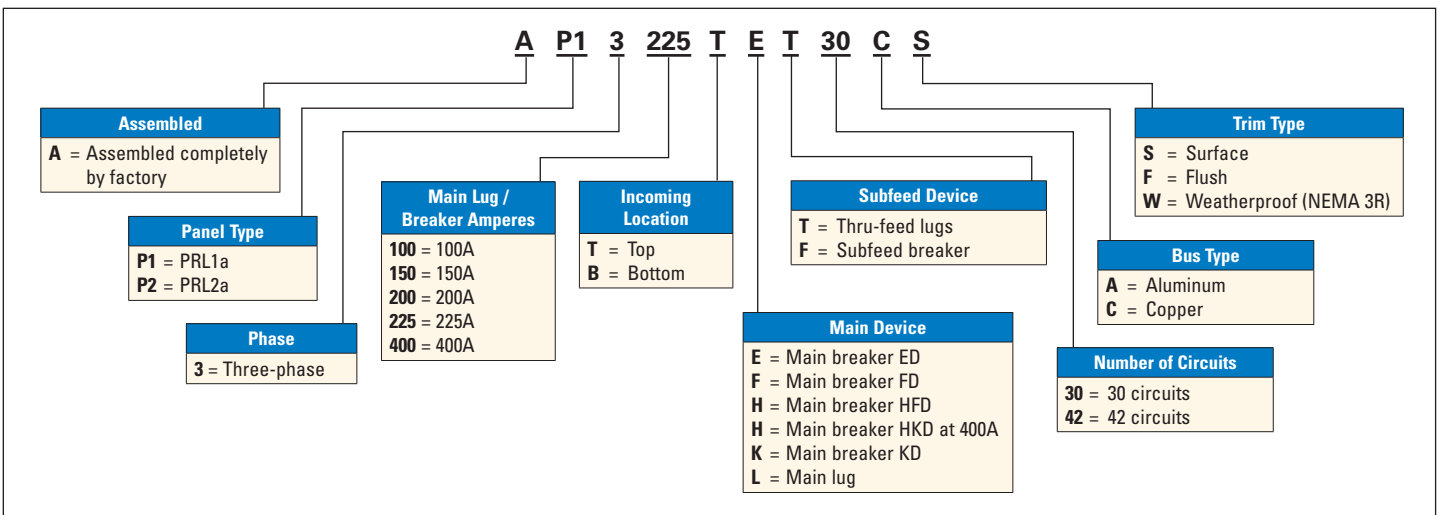
Main lug, three-phase, four-wire—top cable entry—NEMA 1 enclosure—trim surface mount

Ampere Rating	Bus Type	Thru-Feed Lugs	Subfeed Breaker	Max. Number of Spaces	Max. Number of Circuits	Enclosure Height (Inches)	Catalog Number
208Y/120 Vac							
225	Aluminum	■		30	30	48	AP13225TLT30AS
225	Aluminum			42	42	42	AP13225TL42AS
400	Aluminum		■	42	42	72	AP13400TLF42AS
225	Copper	■		30	30	48	AP13225TLT30CS
225	Copper			42	42	48	AP13225TL42CS
400	Aluminum		■	42	42	72	AP13400TLF42AS
400	Copper		■	42	42	72	AP13400TLF42CS
480Y/277 Vac							
225	Aluminum			30	30	48	AP23225TL30AS
225	Copper			30	30	48	AP23225TL30CS
225	Aluminum			42	42	42	AP23225TL42AS
225	Copper			42	42	42	AP23225TL42CS

Summary of branch breakers available

Breaker Type	Number of Poles	Ampere Rating	Voltage	kAIC Rating	Panel Type	Example
BAB	1	15–60	120V	10	PRL1a	BAB1020
	2	15–100	120/240V	10	PRL1a	BAB2020
	2	15–100	240V	10	PRL1a	BAB2040H
	2	15–100	240V	10	PRL1a	BAB3030H
QBGF	1	15–30	120V	10	PRL1a	QBGF1020
	2	15–40	120/240V	10	PRL1a	QBGF2040
QBHW	1	15–60	120V	22	PRL1a	QBHW1020
	2	15–100	120/240V	22	PRL1a	QBHW2020
	2	15–100	240V	22	PRL1a	QBHW2040H
	3	15–100	240V	22	PRL1a	QBHW3030H
GHQ	1	15–20	277V	14	PRL2a	GHQ1020
GHB	1	15–100	277V	14	PRL2a	GHB1020
	2	15–100	480Y/277V	14	PRL2a	GHB2040
	3	15–100	480Y/277V	14	PRL2a	GHB3060

Catalog numbering system



Features

- UL® 67 and UL 50 Listed
- 208Y/120V, three-phase four-wire
- 480Y/277V, three-phase four-wire
- Ratings up to 400A
- Aluminum or copper bus available
- Indoor enclosures
- Available for service entrance applications
- EZ Box™ and EZ Trim™

EZ Panel panelboards are offered under Eaton Pow-R-Stock^{Plus} program, a unique stocking program that provides unparalleled access to Eaton's light commercial construction solutions – allowing for more competitive pricing, simplified ordering, faster inventory turnover and enhanced customer service.

For more information, please contact your local Eaton sales representative or visit :
Eaton.com/EZpanel

Eaton
1000 Eaton Boulevard
Cleveland, OH 44122
United States
Eaton.com

© 2014 Eaton
All Rights Reserved
Printed in USA
Publication No. PA014007EN / GG
June 2014

Eaton is a registered trademark.
All other trademarks are property of their respective owners.